

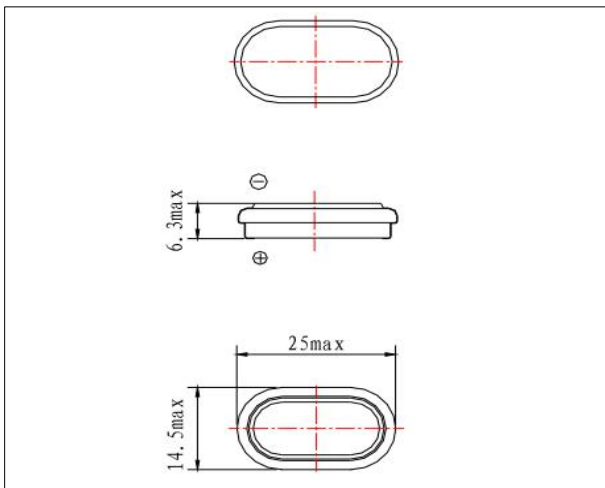


型号(Type): **HB150 1.2V (扣式镍氢电池)**

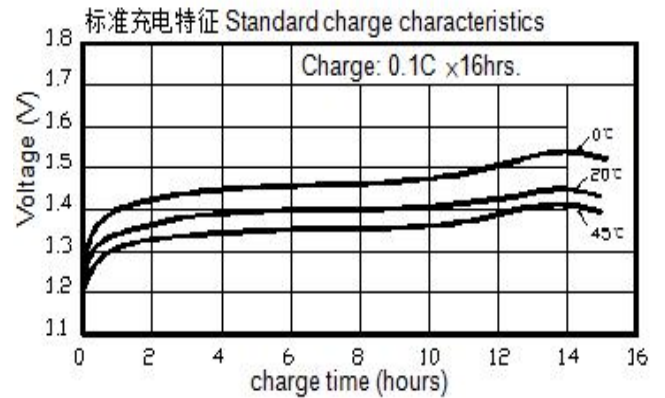
单颗电池规格 Specifications of single cell

标称电压 Nominal voltage		1.2V	
容量 Capacity	0.2C 放电 Discharge		
	最小 Minimum	130mAh	
	典型 Typical	150mAh	
尺寸 Dimensions	直径 Diameter	参照以下产品尺寸图	
	高 Height		
大约重量 Weight(Approximately)		克 gram 5.4	
内阻 Internal Impedance At 1000 Hz		$\leq 350\text{m}\Omega$ (充电后 After Charge)	
充电 Charge	标准 Standard	15mA(0.1C) $\times$ 16hrs	
	快速 Rapid	30mA(0.2C) $\times$ 1.1hrs	
放电电流 Discharge current		$\leq 75\text{mA}$	
IEC 循环寿命 IEC cycle life		$\geq 500$	
环境温度 Ambient temperature	充电 Charge	标准 standard	$0^{\circ}\text{C}$ to $40^{\circ}\text{C}$
		快速 Rapid	$0^{\circ}\text{C}$ to $40^{\circ}\text{C}$
	放电 Discharge	$-10^{\circ}\text{C}$ to $45^{\circ}\text{C}$	
	贮藏 Storage	$0^{\circ}\text{C}$ to $25^{\circ}\text{C}$	

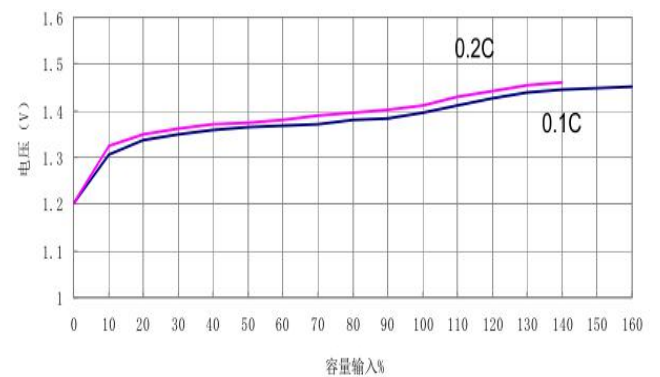
单颗电池尺寸包括 PVC (Dimensions with tube) (mm)



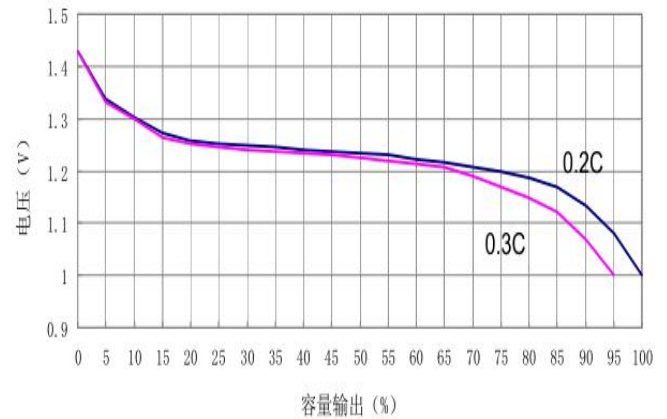
典型特征 Typical characteristics



充电特征 charge characteristics (at 20 $\pm$ 5 $^{\circ}\text{C}$ )



放电特征 Discharge characteristics (at 20 $\pm$ 5 $^{\circ}\text{C}$ )



备注 Note:

- 标称容量是指 20 $^{\circ}\text{C}$ 时 0.2C 放电容量  
Nominal capacity, rated at 0.2C 20 $^{\circ}\text{C}$ .
- 容量只作为参考  
Average capacity, for reference only.
- 重量和内阻也作为参考  
Weight and internal impedance are For reference.
- 寿命测试依照 IEC 标准  
Standard according as IEC of test cycle life.

荷电保持 Charge retention (at 20 $\pm$ 5 $^{\circ}\text{C}$ )

