

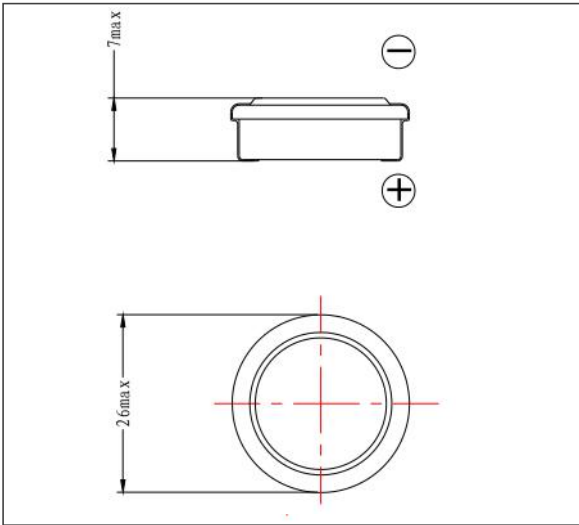


型号(Type): **HB280 1.2V (扣式镍氢电池)**

单颗电池规格 Specifications of single cell

标称电压 Nominal voltage		1.2V	
容量 Capacity	0.2C 放电 Discharge		
	最小 Minimum	250mAh	
	典型 Typical	280mAh	
尺寸 Dimensions	直径 Diameter	参照以下产品尺寸图	
	高 Height		
大约重量 Weight(Approximately)		克 gram 10.0	
内阻 Internal Impedance At 1000 Hz		$\leq 150m\Omega$ (充电后 After Charge)	
充电 Charge	标准 Standard	28mA(0.1C) \times 16hrs	
	快速 Rapid	56mA(0.2C) \times 1.1hrs	
放电电流 Discharge current		$\leq 140mA$	
IEC 循环寿命 IEC cycle life		≥ 500	
环境温度 Ambient temperature	充电 Charge	标准 standard	$0^{\circ}C$ to $40^{\circ}C$
		快速 Rapid	$0^{\circ}C$ to $40^{\circ}C$
	放电 Discharge	$-10^{\circ}C$ to $45^{\circ}C$	
	贮藏 Storage	$0^{\circ}C$ to $25^{\circ}C$	

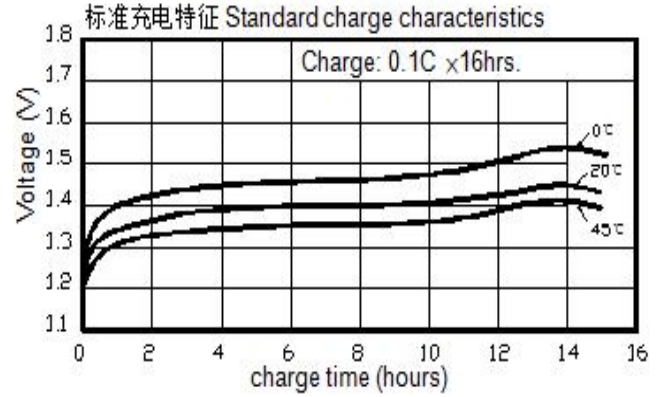
单颗电池尺寸包括 PVC (Dimensions with tube) (mm)



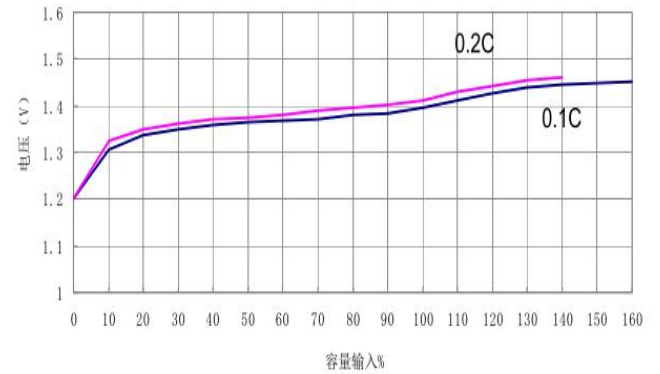
备注 Note:

- 标称容量是指 $20^{\circ}C$ 时 0.2C 放电容量
Nominal capacity, rated at 0.2C $20^{\circ}C$.
- 容量只作为参考
Average capacity, for reference only.
- 重量和内阻也作为参考
Weight and internal impedance are For reference.
- 寿命测试依照 IEC 标准
Standard according as IEC of test cycle life.

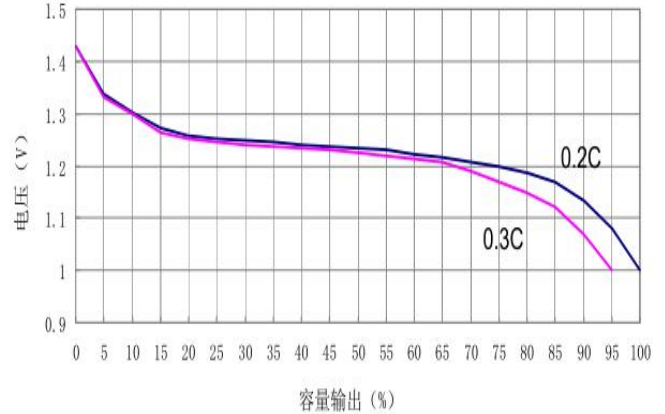
典型特征 Typical characteristics



充电特征 charge characteristics (at $20\pm 5^{\circ}C$)



放电特征 Discharge characteristics (at $20\pm 5^{\circ}C$)



荷电保持 Charge retention (at $20\pm 5^{\circ}C$)

