

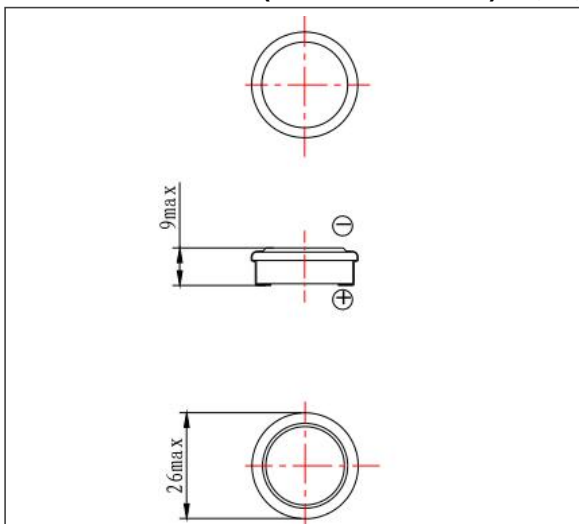


型号(Type): **HB330 1.2V (扣式镍氢电池)**

单颗电池规格 Specifications of single cell

标称电压 Nominal voltage		1.2V	
容量 Capacity	0.2C 放电 Discharge		
	最小 Minimum	300mAh	
	典型 Typical	330mAh	
尺寸 Dimensions	直径 Diameter	参照以下产品尺寸图	
	高 Height		
大约重量 Weight(Approximately)		克 gram 11.8	
内阻 Internal Impedance At 1000 Hz		$\leq 300m\Omega$ (充电后 After Charge)	
充电 Charge	标准 Standard	33mA(0.1C) $\times$ 16hrs	
	快速 Rapid	66mA(0.2C) $\times$ 1.1hrs	
放电电流 Discharge current		$\leq 165mA$	
IEC 循环寿命 IEC cycle life		$\geq 500$	
环境温度 Ambient temperature	充电 Charge	标准 standard	$0^{\circ}C$ to $40^{\circ}C$
		快速 Rapid	$0^{\circ}C$ to $40^{\circ}C$
	放电 Discharge		$-10^{\circ}C$ to $45^{\circ}C$
	贮藏 Storage		$0^{\circ}C$ to $25^{\circ}C$

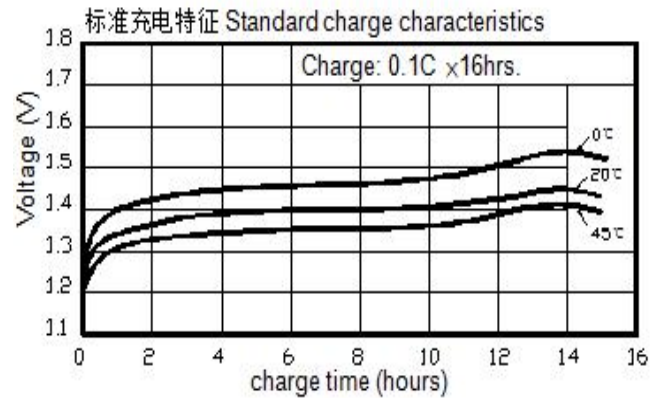
单颗电池尺寸包括 PVC (Dimensions with tube) (mm)



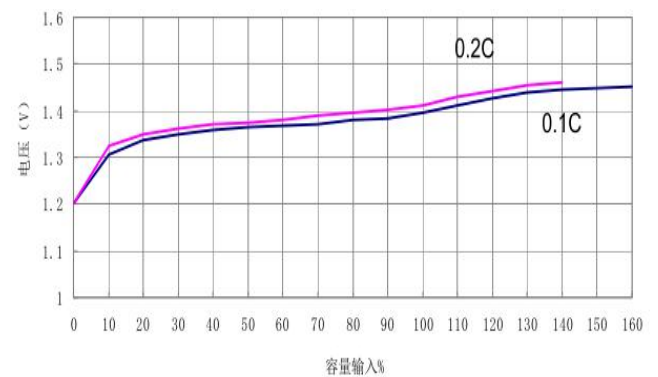
备注 Note:

- 标称容量是指  $20^{\circ}C$  时 0.2C 放电容量  
Nominal capacity, rated at 0.2C  $20^{\circ}C$ .
- 容量只作为参考  
Average capacity, for reference only.
- 重量和内阻也作为参考  
Weight and internal impedance are For reference.
- 寿命测试依照 IEC 标准  
Standard according as IEC of test cycle life.

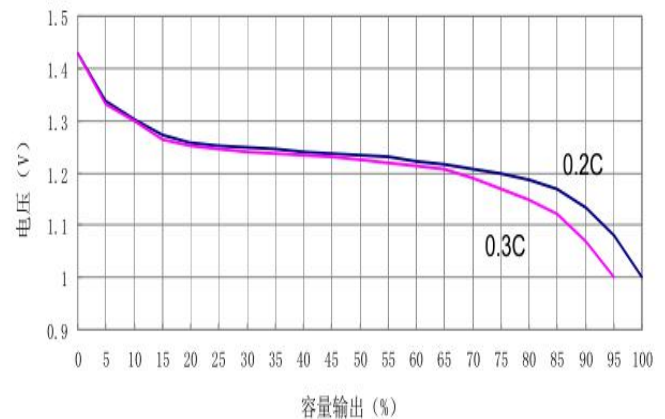
典型特征 Typical characteristics



充电特征 charge characteristics (at  $20\pm 5^{\circ}C$ )



放电特征 Discharge characteristics (at  $20\pm 5^{\circ}C$ )



荷电保持 Charge retention (at  $20\pm 5^{\circ}C$ )

